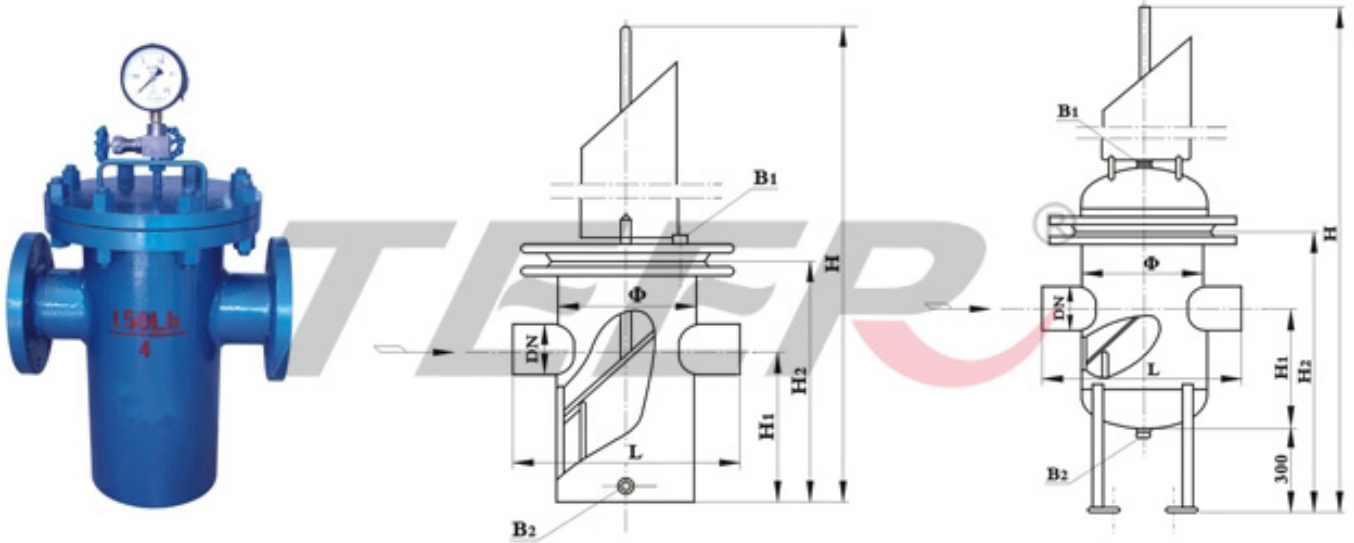


Basket Strainer



Dimension:

Unit: mm

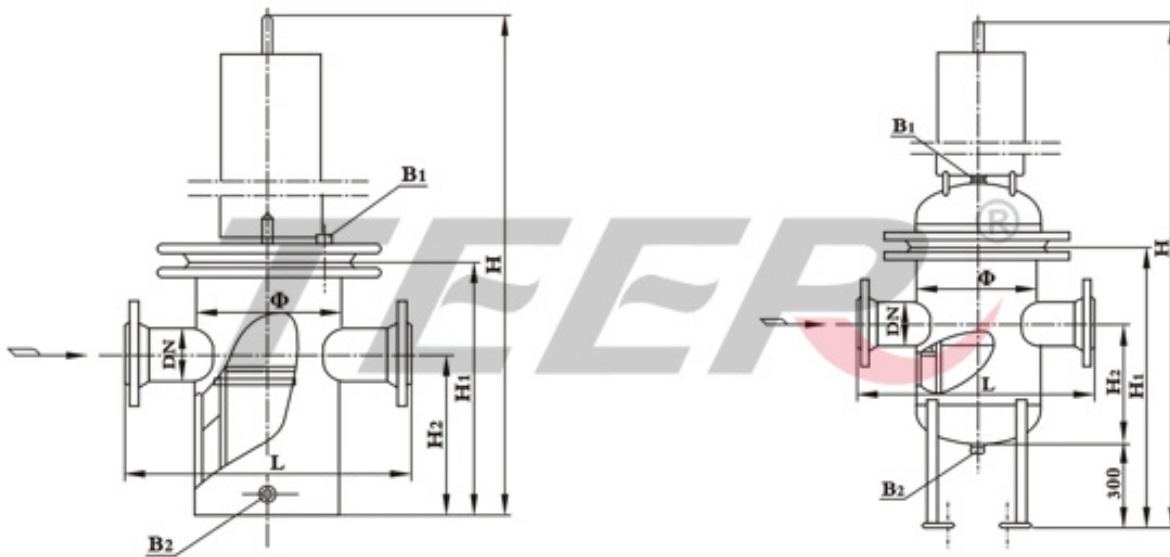
Model	DN	L	H	H1	H2	R	B1 outlet			Mesh Area (?O)	Weight (kg)
							I	II	III		
SD16C-J16	25	220	480	160	260	R1/2";	DN20	DN20	0.003619	13.8	
	32	220	495	160	270						
	40	280	550	180	300						
	50	280	550	180	300						
SD16C-J25	80	340	740	260	400	R3/4";	Flat	Raised	0.001539	52	
SD16C-J40	100	420	880	310	470		RF	M	0.02464	82	
SD16S-J20	150	500	1175	430	620	R3/4";			0.04866	208	
	200	560	1540	530	780						
SD16C-J50	250	660	1890	640	930				0.12065	280	

300	750	2130	840	1200	478				0.06537	390
-----	-----	------	-----	------	-----	--	--	--	---------	-----

Dimension:

Unit: mm

Model	DN	L	H	H1	H2	Φ	B1 Outlet			Mesh Area (?O)	Weight (kg)
							I	II	III		
	200	560	1875	540	230	325	R3/4" Å	DN20	DN20	0.07858	303
	250	660	2170	650	270	426				0.12065	439
	300	750	2690	860	320	480				0.16537	576
	350	800	3085	1010	370	500	R1" Å	Flat	Raised	0.2225	833
	400	840	3445	1150	400	550		RF	M	0.2916	839
	450	960	3810	1318	440	600				0.3642	978
	500	1080	4145	1440	470	700				0.4587	1444



Dimension:

Unit: mm

Model	DN	L	H	H1	H2	Φ	B1 Outlet			Mesh Area (?O)	Weight (kg)
							I	II	III		

SD34C-J16	25	220	520	110	70	76	R1/2"∅	DN20	DN20	0.003619	12.5
	32	220	525	110	70	76				0.003619	16.8
	40	280	630	120	100	114				0.005718	24
SD34C-J25	50	280	630	120	100	114	R1/2"∅	Flat	Raised	0.005718	29
SD34C-J40	65	330	750	160	110	140				0.009613	40
SD34C-J20	80	340	860	180	140	168				0.001539	55
SD34C-J50	100	420	1040	220	170	219	R3/4"∅	RF	M	0.02464	103
	150	500	1375	310	220	273				0.04866	181
	200	560	1560	390	280	325				0.07858	210
	250	660	1770	480	320	426				0.12065	290
	300	750	2000	640	400	478				0.16537	388

Dimension:

Unit: mm

Model	DN	L	H	H1	H2	∅	B1 Outlet			Mesh Area (∅)	Weight (kg)
							I	II	III		
SD44C-J16	200	560	2005	390	280	325	R3/4"∅	DN20	DN20	0.07858	292
	250	660	2320	480	320	426				0.12065	415
SD44C-J25	300	750	2870	640	400	480	R1"∅	Flat	Raised	0.16537	596
SD44C-J40	350	800	3305	770	450	500				0.2225	707
	400	840	3675	780	520	550				0.2916	811
SD44C-J20	450	960	4070	980	600	600				0.3642	1264
SD44C-J50	500	1080	4235	1090	650	700				0.4587	1589

Copyright: 2006 (C) China Zhejiang Teer Valve Co., Ltd.

Dong-ou Industrial Zone, Wenzhou, Zhejiang, China, 325100

Int'l trade: Tel:(86)577-57999777 67995111 67995115 67995116 Fax:57999888 Local sales: Tel:57989999 Fax:57989988

[HTTP://www.chinateer.com](http://www.chinateer.com) E-mail: trade@chinateer.com