

Application standards

1? Design and manufacture conform to API602?BS5352?ANSI B16.34?

2? Connection ends conform to

1? Socket welded dimension conform to ANSI B16.11?JB/T1751

2? Screw ends dimension conform to ANSI B1.20.1?JB/T7306

3? Butt-welded conform to ANSI B16.25?JB/T12224

4? Flanged ends conform to ANSI B16.5?JB79

3? Test and inspection conform to?API 598?GB/T13927?JB/T9092

4? Structure features?

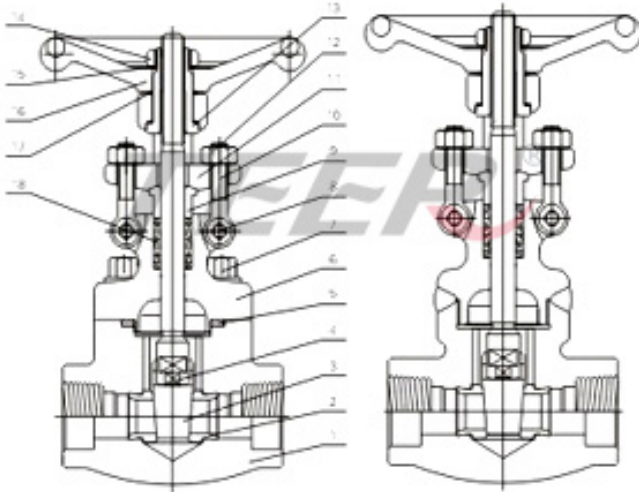
Bolted bonnet?outside screw and yoke

Welded bonnet?outside screw and yoke

5? Materials conform to ANIS/ASTM

6? Main materials:

A105?LF2 F5?F11?F22?304?316?316L?F347?F321?F51?Monel?20 Alloy



Carbon steel temperature-pressure rate

CL150-285 P.S.I@100 ??F

CL300-740 P.S.I@100 ??F

CL600-1480 P.S.I@100 ??F

CL800-1975 P.S.I@100 ??F

CL1500-3705 P.S.I@100 ??F

Main part materials list

NO.	Part name	A105/F6a	A105/F6aHFS	LF2/304	F11/F6aHF	F304(L)/304(L)	F316(L)/316(L)	F51/F51
1	Body	A105	A105	LF2	F11	F304(L)	F316(L)	F51
2	Seat	410	410HF	304	410HF	304(L)	316(L)	F51
3	Wedge	F6a	F6a	F304	F6aHF	F304(L)	F316(L)	F51
4	Stem	410	410	304	410	304(L)	316(L)	F51
5	Gasket	304+Flexible graphite	304+Flexible graphite	304+Flexible graphite	304+Flexible graphite	304+Flexible graphite	316+Flexible graphite	316+Flexible graphite
6	Bonnet	A105	A105	LF2	F11	F304(L)	F316(L)	F51
7	Bolt	B7	B7	L7	B16	B8(M)	B8(M)	B8M
8	Pin	410	410	410	410	304	304	304
9	Gland	410	410	304	410	304	316	F51
10	Gland yebolt	B7	B7	L7	B16	B8(M)	B8(M)	B8M
11	Gland flange	A105	A105	LF2	F11	F304	F304	F304
12	Hex nut	2H	2H	2H	2H	8(M)	8(M)	8M
13	Stem nut	410	410	410	410	410	410	410
14	Locking nut	35	35	35	35	35	35	35
15	Nameplate	AL	AL	AL	AL	AL	AL	AL
16	Handwheel	A197	A197	A197	A197	A197	A197	A197
17	Librucating gasket	410	410	410	410	410	410	410
18	Packing	Graphite	Graphite	Graphite	Graphite	Graphite	Graphite	Graphite

Application standards

1?;éDesign and manufacture conform to API602?;éBS5352?;éANSI B16.34;ê?

2?;éConnection ends conform to

1;ê?Socket welded ends conform to ANSI B16.11;ê?JB/T1751

2;ê?Screw ends conform to ANSI B1.20.1;ê?JB/T7306

3;ê?Butt-welded ends conform to ANSI B16.25 JB/T12224

4;ê?Flanged ends conform to ANSI B16.5;ê?JB79

3?;éTest and inspection conform to;êoAPI 598 GB/T13927 JB/T9092

4?;éStructure features;êo

Bolted bonnet;ê?outside screw and yoke

Welded bonnet;ê?outside screw and yoke

5?;éMaterials conform to ANIS/ASTM

6?;éMain materials;êo

37	Screwed stud	B7	B7	L7	B16	B8(M)	B8(M)	B8(M)
38	Nut	2H	2H	8	8	8(M)	8(M)	8(M)
39	Metal ring	304	304	304	304	304(L)	316(L)	F51

Copyright: 2006 (C) China Zhejiang Teer Valve Co., Ltd.

Dong-ou Industrial Zone, Wenzhou, Zhejiang, China, 325100

Int'l trade: Tel:(86)577-57999777 67995111 67995115 67995116 Fax:57999888 Local sales: Tel:57989999 Fax:57989988

[HTTP://www.chinateer.com](http://www.chinateer.com) E-mail: trade@chinateer.com