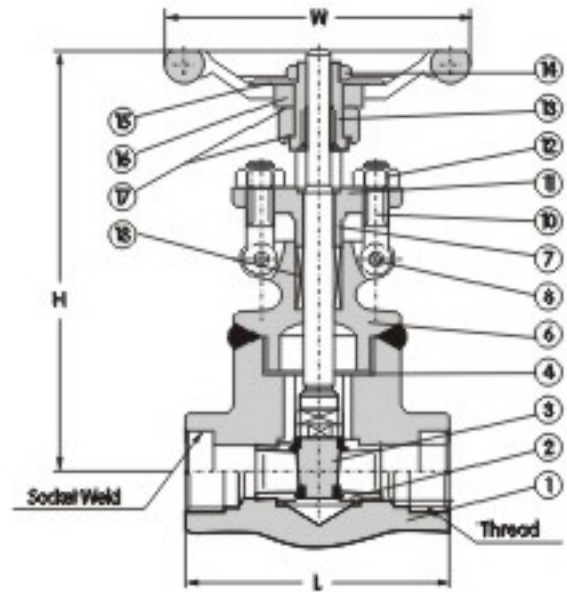


**Eg.FIG.G9C<sub>1/2</sub>Y**



**Eg.FIG.WG9C<sub>1/2</sub>Y**

## Gate Valve 900Lb~1500Lb

### Standard Material Specifications

NO.	Part Name	CS to ASTM	AS to ASTM	SS to ASTM	
		Type A105	Type F22	Type F304(L)	Type F316(L)
1	Body	A105	A182 F22	A182 F304(L)	A182 F316(L)
2	Seat Ring	A276 420	A276 304	A276 304(L)	A276 316(L)
3	Wedge	A276 430&410	A182 F304	A182 F304(L)	A182 F316(L)
4	Stem	A182 F6	A182 F304	A182 F304(L)	A182 F316(L)
5	Gasket	Corrugated SS+graphite		SS+PTFE	
6	Bonnet	A105	A182 F22	A182 F304(L)	A182 F316(L)
7	Bonnet Bolt	A193 B7	A193 B16	A193 B8	A193 B8M
8	Pin	A276 420		A276 304	
9	Gland	A276 410		A182 F304(L)	A182 F316(L)
10	Gland Eyebolt	A193 B7	A193 B16	A193 B8	A193 B8M

11	Gland Flange	A105	A182 F11	A182 F304(L)	A182 F316(L)
12	Gland Nut	A194 2H	A194 4	A194 8	A194 8M
13	Yoke Nut	A276 420			
14	H.W.Lock Nut	A194 2H	A194 4	A194 8	A194 8M
15	Nameplate	SS			
16	Handwheel	A197			
17	Bearing Gasket	A473 431			
18	Stem Packing	Flexible Graphite		PTFE	
	Suitable Medium	W.O.G.etc	W.O.G.etc	HNO <sub>3</sub> ,CH <sub>3</sub> OOH etc	
	Suitable Temperature	-29 425 font	-29 550 font	-29 180 font	

**Note:** Other materials are available upon request.

## Dimensions (mm) and Weights (Kg)

NPS	Conv.	3/8	1/2	3/4	1	1-1/4	1-1/2	2	
	Full		3/8	1/2	3/4	1	1-1/4	1-1/2	2
L		92	111	111	120	120	140	178	210
H(OPRN)		169	197	197	236	246	283	330	354
W		100	125	125	160	160	180	200	240
Weights	Bolted	2.5	4.3	4.2	6.6	8.8	12.5	17.2	23.5
	Welede	2.4	4.2	4.0	6.3	8.7	12.1	17.2	22.0

Copyright: 2006 (C) China Zhejiang Teer Valve Co., Ltd.

Dong-ou Industrial Zone, Wenzhou, Zhejiang, China, 325100

Int'l trade: Tel:(86)577-57999777 67995111 67995115 67995116 Fax:57999888 Local sales: Tel:57989999

Fax:57989988

[HTTP://www.chinateer.com](http://www.chinateer.com) E-mail: [trade@chinateer.com](mailto:trade@chinateer.com)