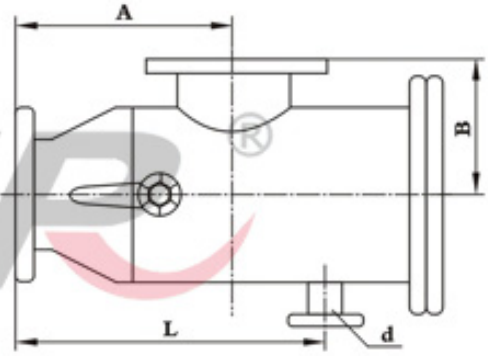
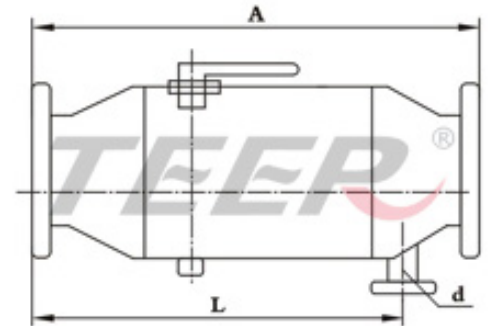


P Type Auto Discharging Strainer



Specifications & Dimensions:

Model	Mm	In	Dimension(mm)				Weight (kg)	Max Flow (t/h)
			A	B	L	d		
DAG-2PI	50	5	200	130	300	25	21	19
DAG-PII			370	-	300		13	
DAG-2.5PI	65	2.5	200	130	300	25	23	28
DAG-2.5PII			370	-	300		15	
DAG-3PI	80	3	260	150	360	25	29	50
DAG-3PII			460		370		17	
DAG-4PI	100	4	300	180	410	258	40	80
DAG-4PII			480	-	390		23	
DAG-5PI	125	5	320	220	450	40	59	125
DAG-5PII			590	-	470		38	
DAG-6PI	150	6	380	240	520	40	81	180



DAG-6PII			670	-	530		52	
DAG-8PI	200	8	400	280	560	50	104	320
DAG-8PII			750	-	620		79	
DAG-10PI	250	10	500	320	700	50	150	490
DAG-10PII			850	-	710		121	
DAG-12PI	300	12	650	350	900	65	195	710
DAG-12PII			1100	-	905		151	
DAG-14PI	350	14	670	370	940	65	250	970
DAG-14PII			1200	-	975		235	
DAG-16PI	400	16	720	420	1020	65	450	1260
DAG-16PII			1300	-	1045		291	
DAG-18PI	450	18	870	460	1125	100	480	1590
DAG-18PII			1540	-	1210		100	
DAG-20PI	500	20	995	550	1375	100	640	1970
DAG-20PII			1720	-	1350		516	
DAG-24PI	600	24	1140	600	1600	100	860	2875
DAG-24PII			1920	-	1540		734	

Install & Use:

This strainer should be installed vertically or horizontally. In vertical install, the flow from top to bottom, which is in accordance to arrow flaged; In normal operation, the flow guider valve is in open state. When polution need to be discharged, shut off the flow guider valve and open the discharging valve till water turn to clear. Then shut off the discharging valve and open the guider valve to end the discharging procedure.

In manual operation configuration, the discharging valve is a part provided by user;

In electric operation, the discharging valve(electric drive) and console is provided by factory.

Working Pressure: ≤ 1.6 Mpa

Working Temp: ≤ 90 °C

Pressure loss: ≤ 0.015 Mpa

Filter Precision: $d=1.2$ mm

Flange acc. to GB9119.9-88, other spec can comply to customer requirement.

Copyright: 2006 (C) China Zhejiang Teer Valve Co., Ltd.

Dong-ou Industrial Zone, Wenzhou, Zhejiang, China, 325100

Int'l trade: Tel: (86) 577-57999777 67995111 67995115 67995116 Fax: 57999888 Local sales: Tel: 57989999 Fax: 57989988

[HTTP://www.chinateer.com](http://www.chinateer.com) E-mail: trade@chinateer.com