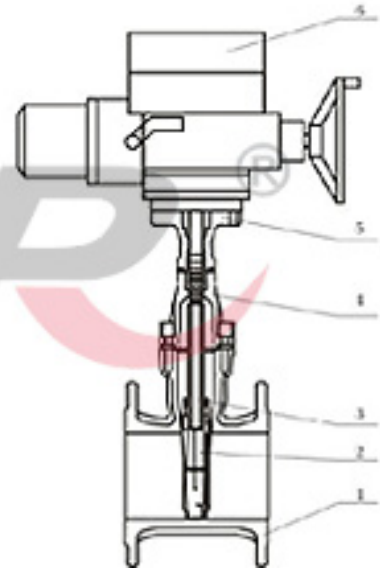
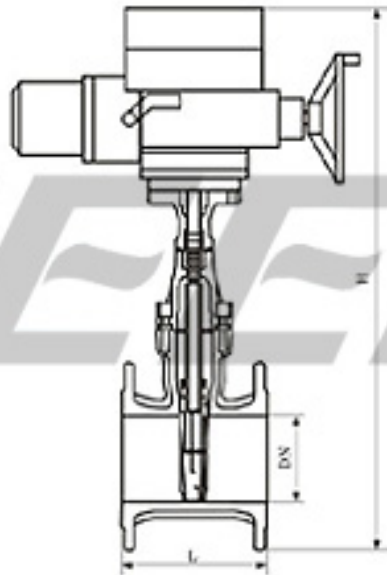


# Product introduction

Resilient seated gate valve can be equipped with all kinds of electric actuator to clients' requirements to realize long-distance control and automatic control. It has the features such as quickness, liableness and easy installation etc.. It is widely used in tap water industry, sewage treatmen, shipping, construction, petroleum, chemicals, food, pharmacy, textile, electric power, metallurgy and energy system's pipeline to adjust and shut off fluid.

## Material

Serial no.	Part	Material
1	Body	Grey cast iron, ductile cast iron, cast steel
2	Disc	Ductile cast iron packed with rubber or EPDM outside
3	Stem	Stainless steel
4	Cover	Grey cast iron, ductile cast iron, cast steel
5	Support	Grey cast iron, ductile cast iron, cast steel
6	Electric actuator	



## Main technic-al parameters

Nominal pressure: 1.0-2.5MPa Working temp.: 0-120 Flanged end: GB/T17241.6 GB9113, ASME 16.5 etc..  
 Nominal diameter: 50-400mm Service: water, oils, gas etc.. Inspection and test: GB 13927 API 598

## Main dimensions unit:mm

DN	50	65	80	100	125	150	200	250	300	350	400	450	500	600
L	178	190	203	229	254	267	292	330	356	381	406	432	457	508
H(full open)	732	773	820	870	915	1003	1110	1263	1360	1550	1610	1900	1938	2120

Copyright: 2006 (C) China Zhejiang Teer Valve Co., Ltd.

Dong-ou Industrial Zone, Wenzhou, Zhejiang, China, 325100

Int'l trade: Tel:(86)577-57999777 67995111 67995115 67995116 Fax:57999888 Local sales: Tel:57989999

Fax:57989988

[HTTP://www.chinateer.com](http://www.chinateer.com) E-mail: [trade@chinateer.com](mailto:trade@chinateer.com)